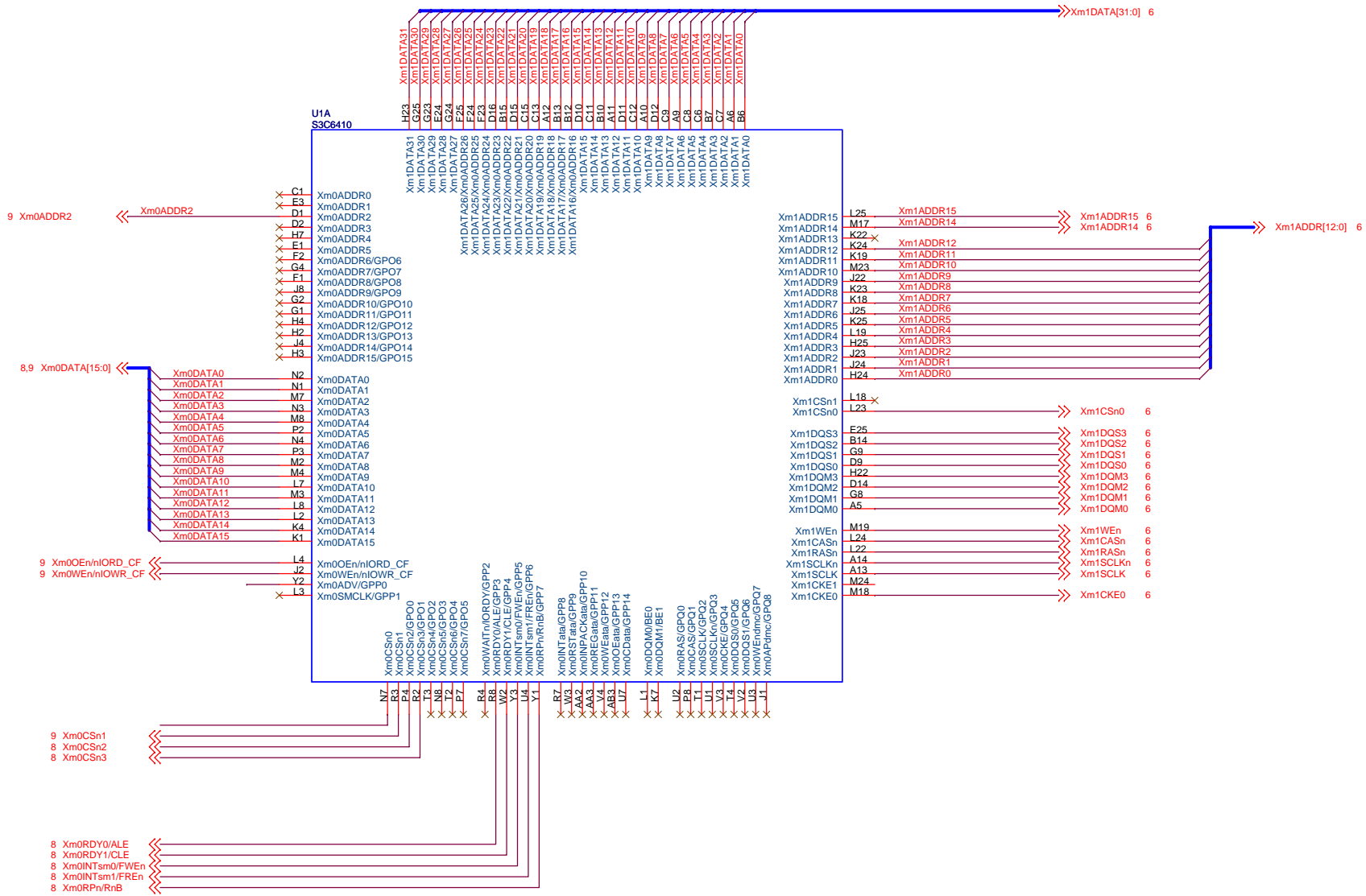
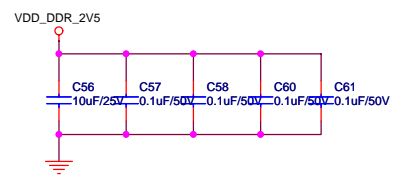
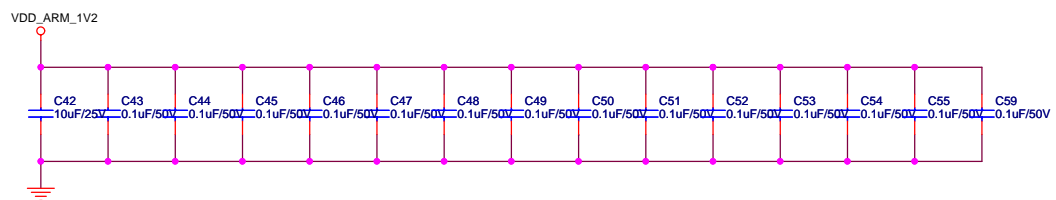
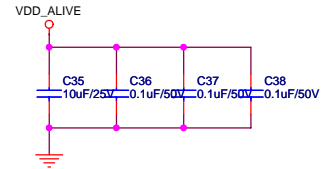
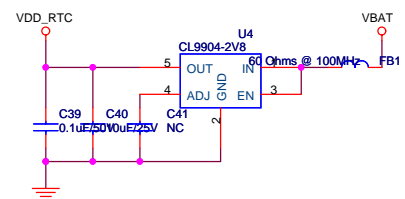
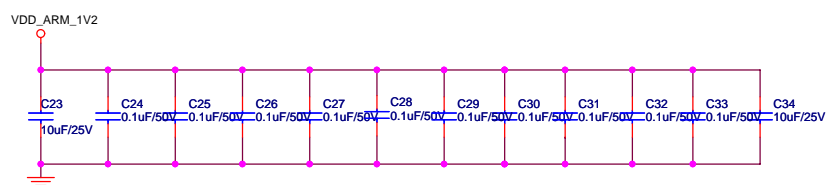
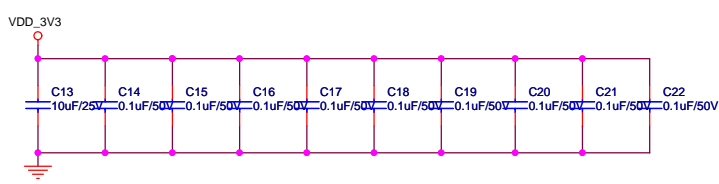
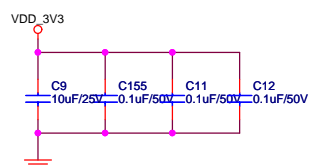
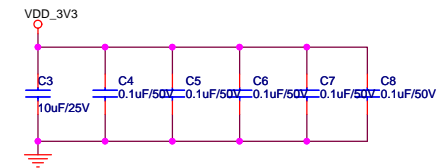
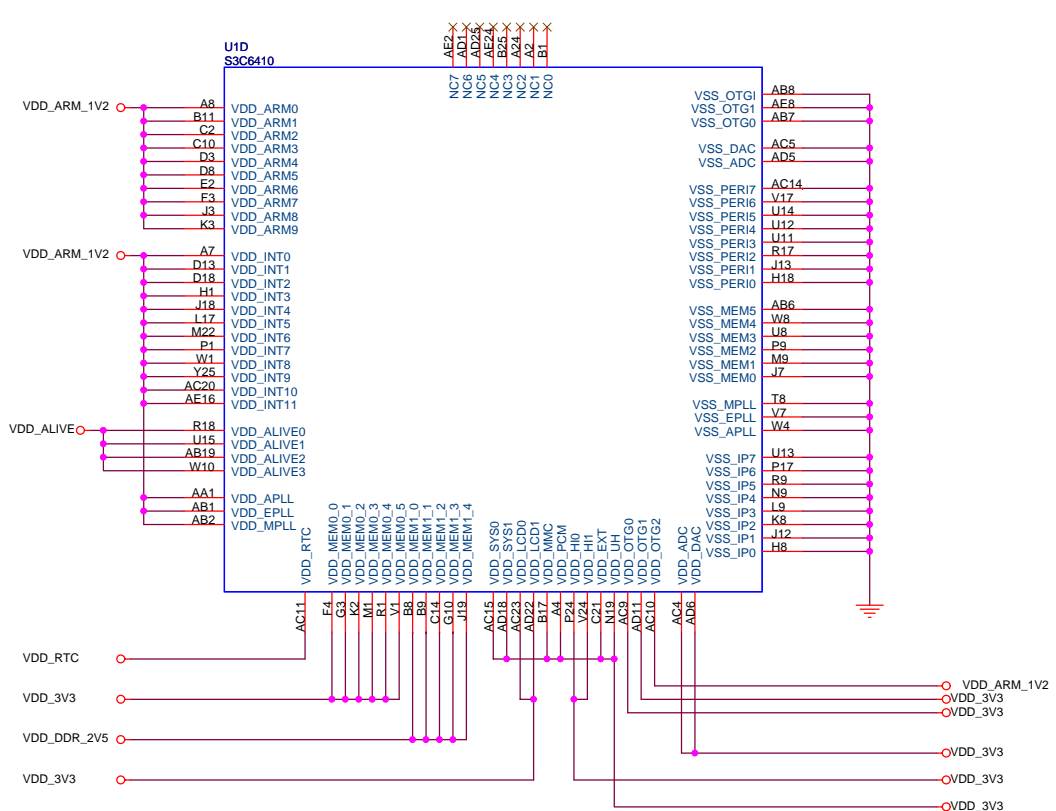


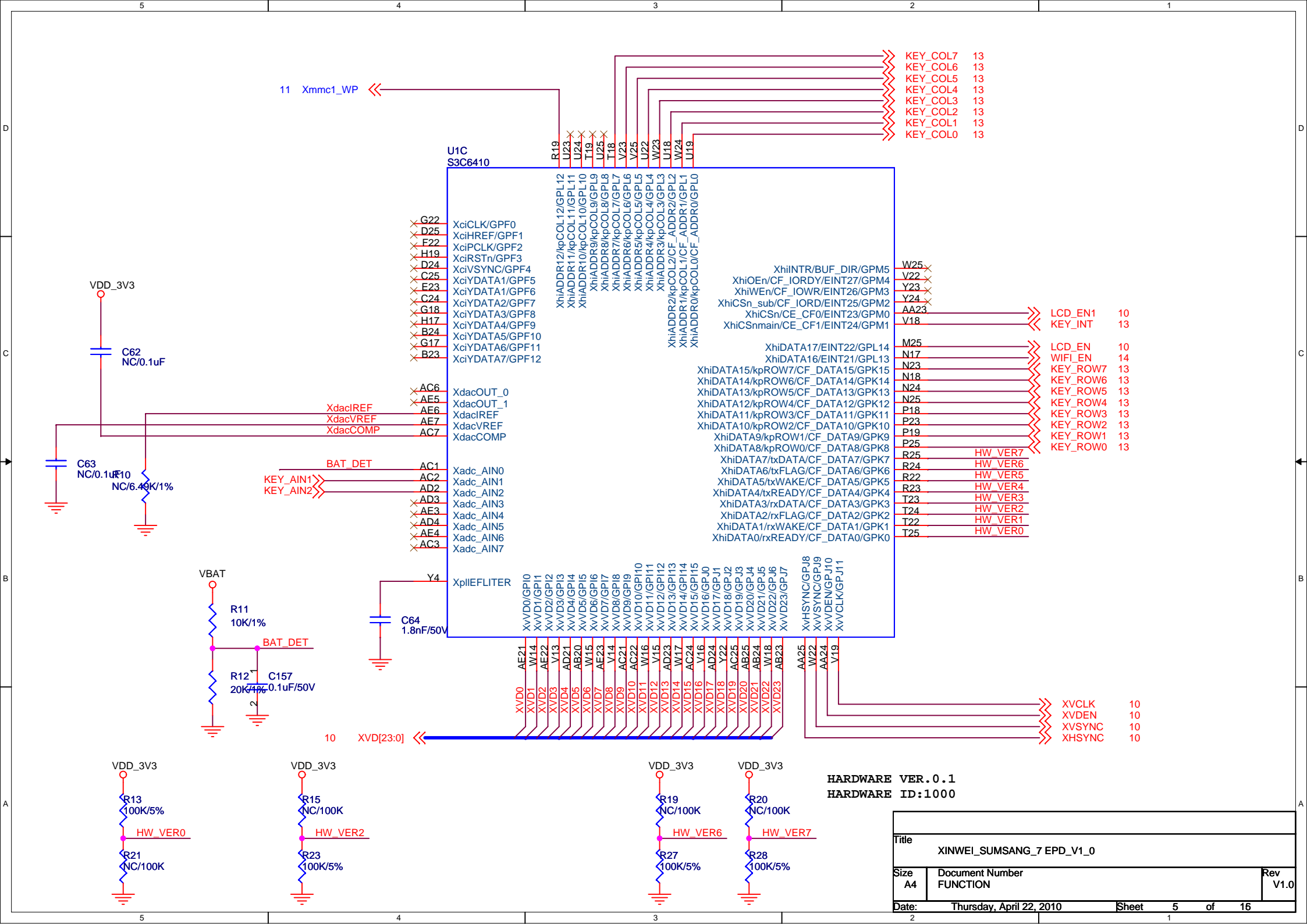
page 01 Title Page
page 02 CPU(I/O)
page 03 CPU(Data, Addr)
page 04 CPU(PMU)
page 05 CPU(Function)
page 06 DDR
page 07 Boot/Clock
page 08 NAND
page 9 DEBUG
page 10 Display
page 11 SD
page 12 USB
page 13 Key
page 14 key
page 15 WLAN
page 16Power

Title		
<Title>		
Size	Document Number	Rev
A	<Doc>	V1.0
Date:	Thursday, February 25, 2010	Sheet 1 of 16



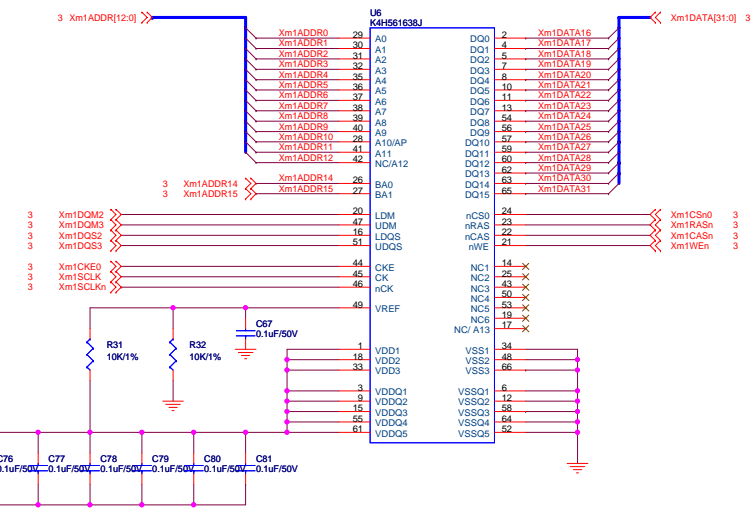
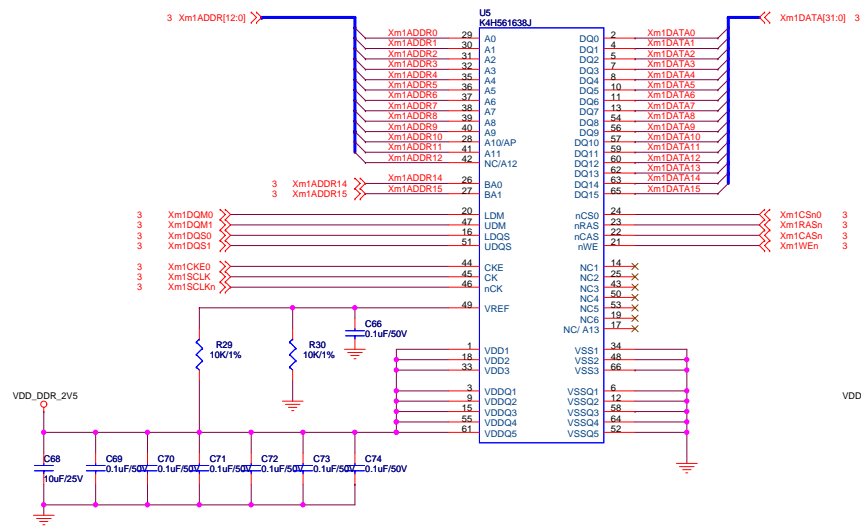


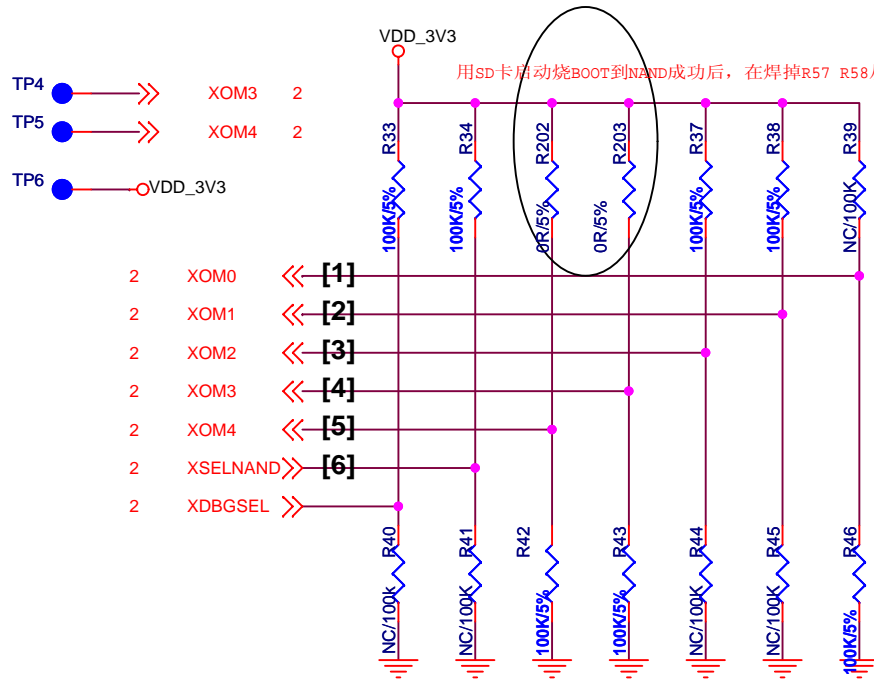
Title		
XINWEI_SUMSANG_7 EPD_V1_0		
Size	Document Number	Rev
A3	CPU POWER	V1.0
Date:	Friday, April 16, 2010	Sheet 4 of 16



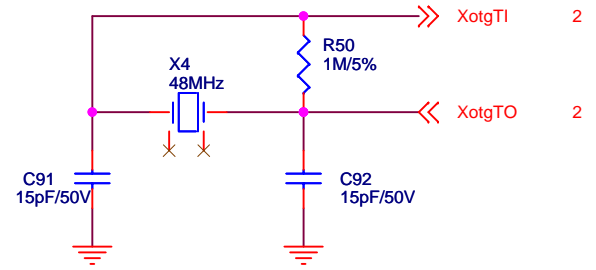
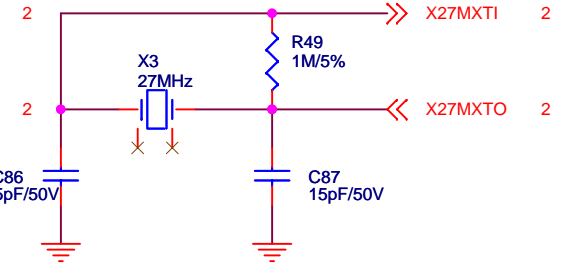
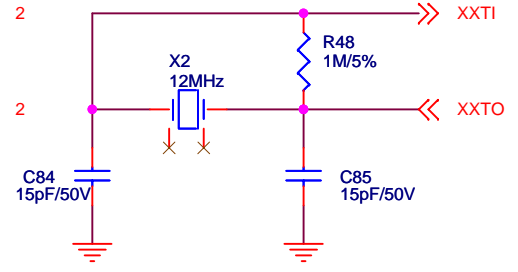
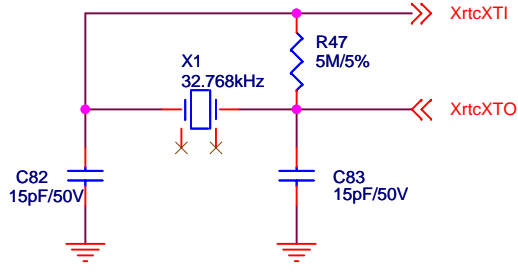
HARDWARE VER.0.1
HARDWARE ID:1000

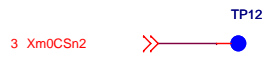
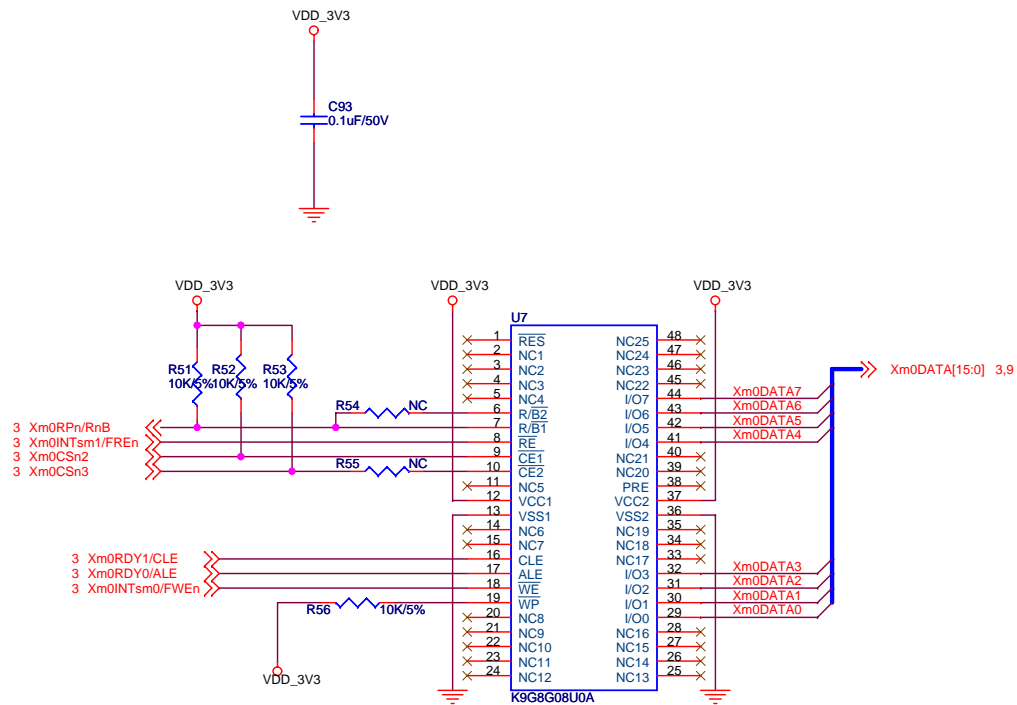
Title		
XINWEI_SUMSANG_7 EPD_V1_0		
Size	Document Number	Rev
A4	FUNCTION	V1.0
Date:	Thursday, April 22, 2010	Sheet 5 of 16



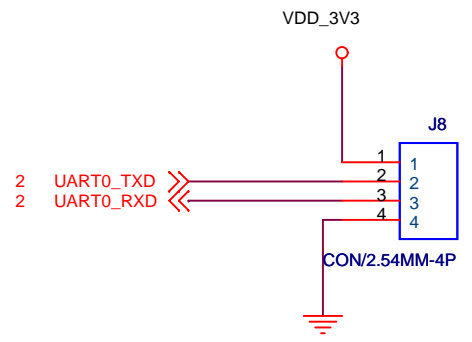


Booting Mode	[6]	[5]	[4]	[3]	[2]	[1]
NAND, 512/3 cycle	1	0	0	0	0	ON : EXTCLK 0:8bit 1:16bit OFF :XTI
NAND, 512/4 cycle	1	0	0	0	1	
ANAND, 2K/4 cycle	1	0	0	1	0	
ANAND, 2K/5 cycle	1	0	0	1	1	
NOR/SROM	x	0	1	0		
OneNAND	0	0	1	1	0	
Modem	x	0	1	1	1	
Internal ROM	x	1	1	1	1	

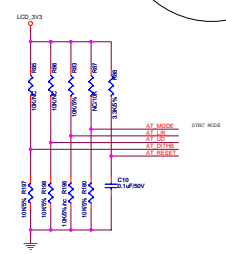
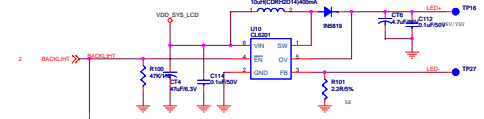
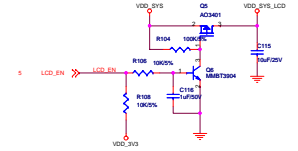
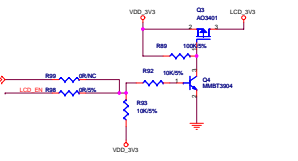
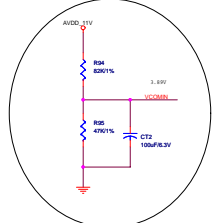
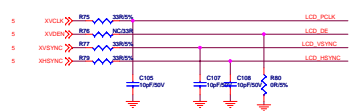
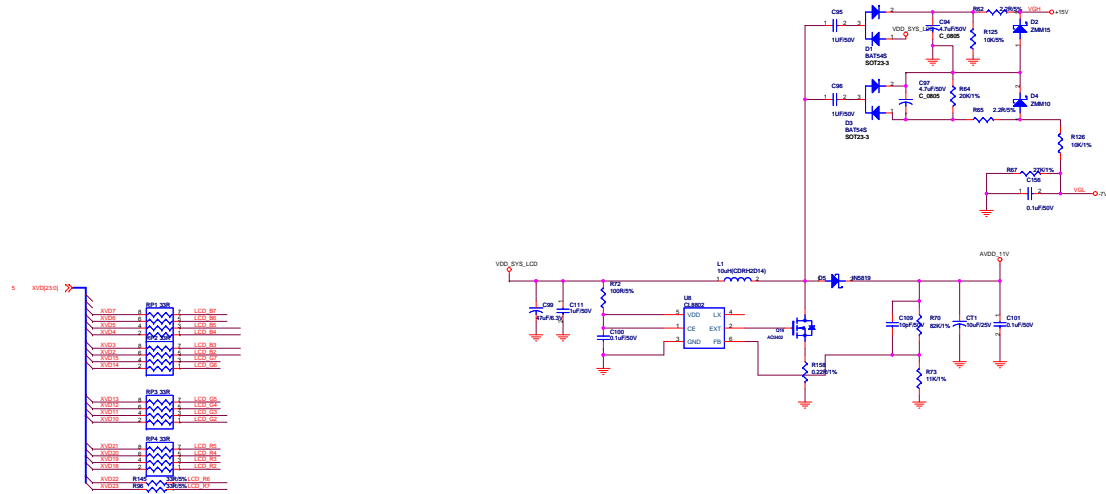




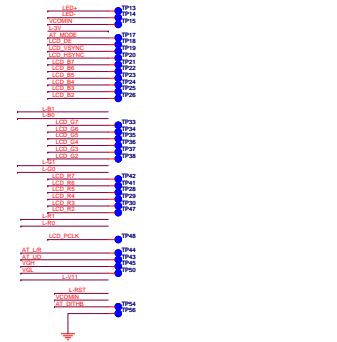
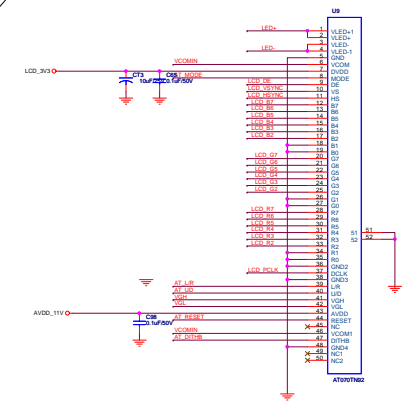
Title		
XINWEI_SUMSANG_7 EPD_V1_0		
Size	Document Number	Rev
B	NAND	V1.0
Date:	Tuesday, April 20, 2010	Sheet 8 of 16

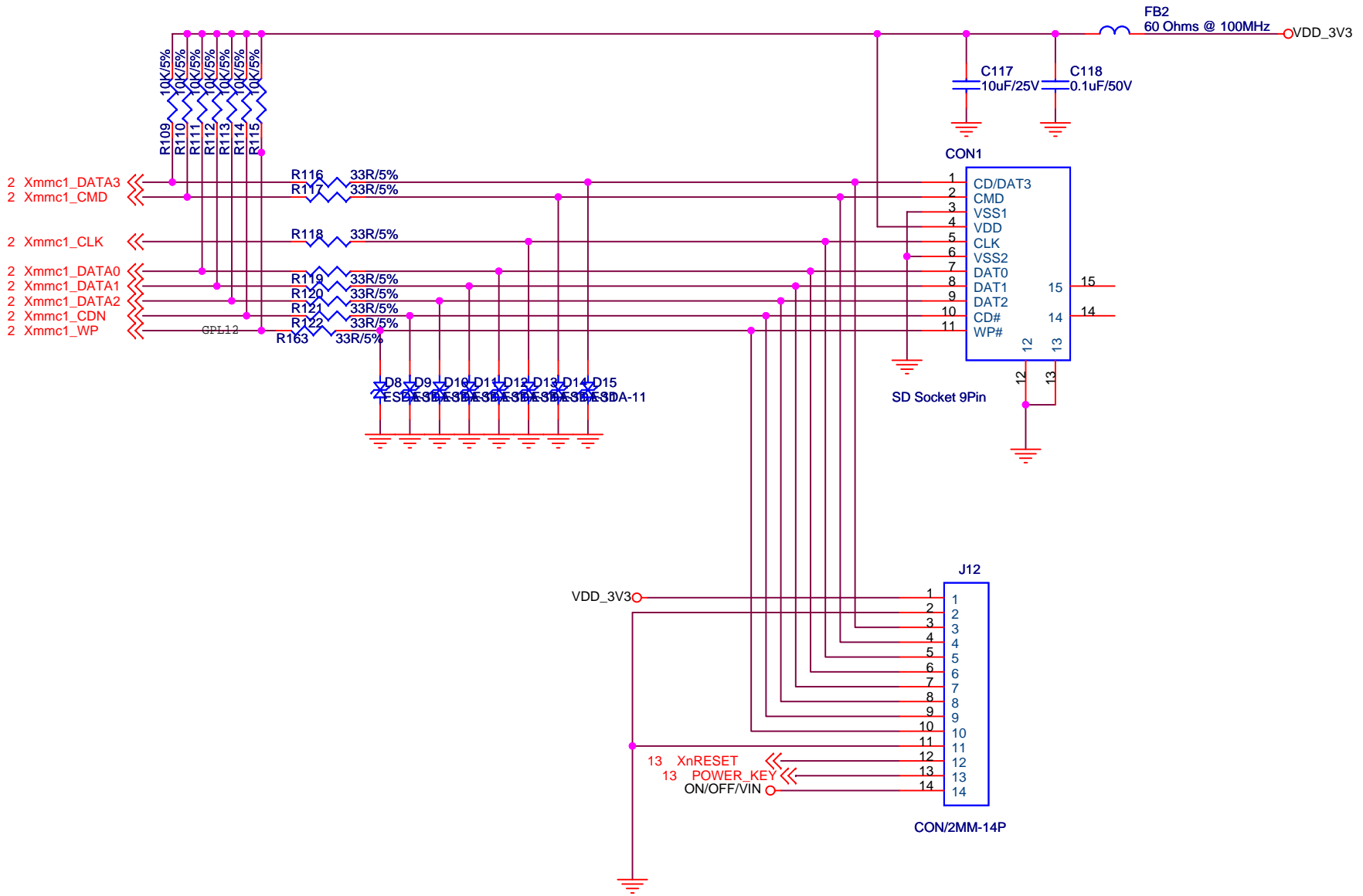


Title		
XINWEI_SUMSANG_7 EPD_V1_0		
Size	Document Number	Rev
A4	DEBUG	V1.0
Date:	Thursday, April 15, 2010	Sheet 9 of 16

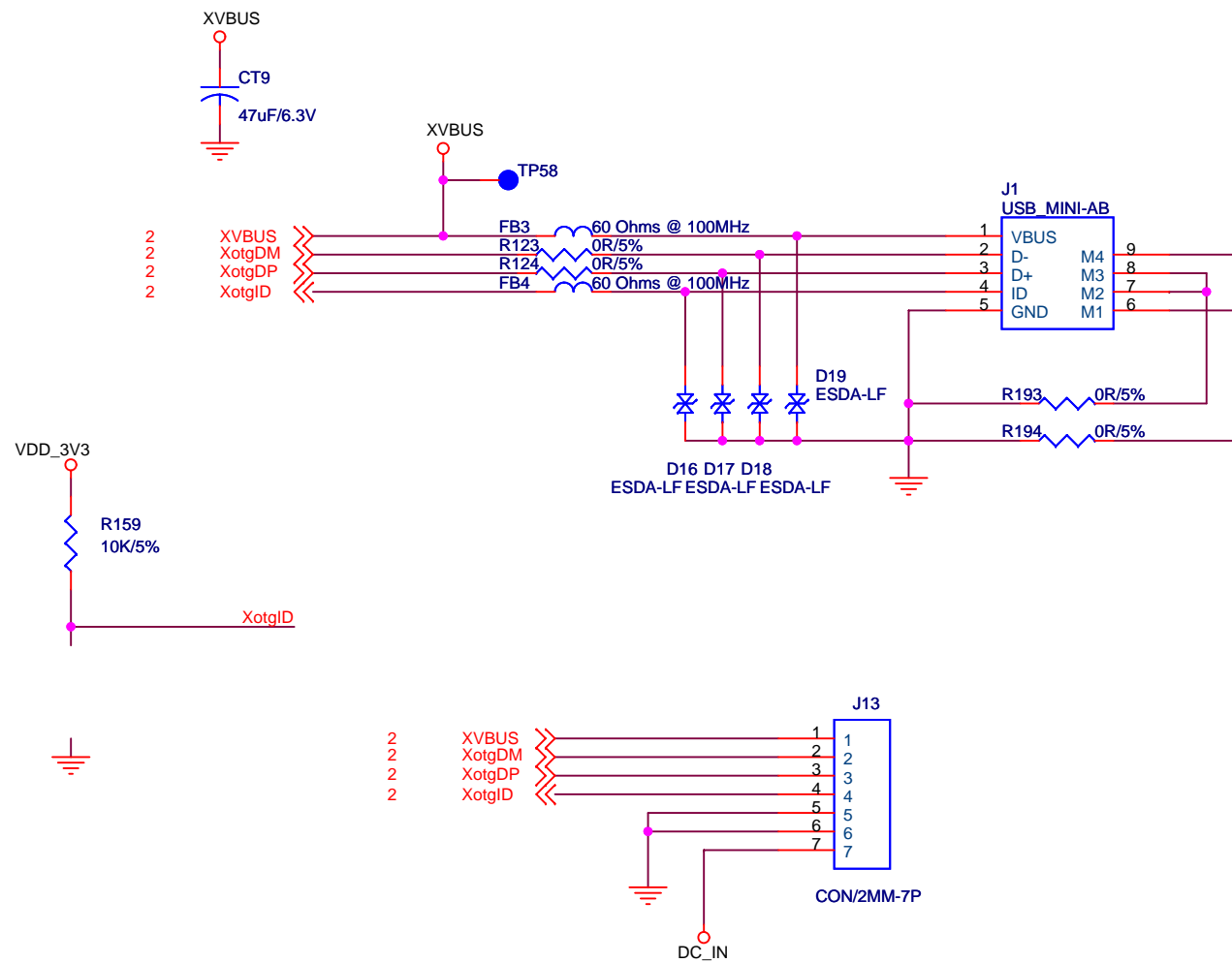


A070W04的VCOM电压为3.3-3.9V
 HSD070IDW1-A的VCOM电压为3.9V
 A7070TN2 的VCOM电压为3.9-4.3V

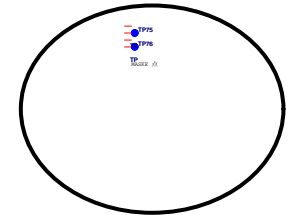
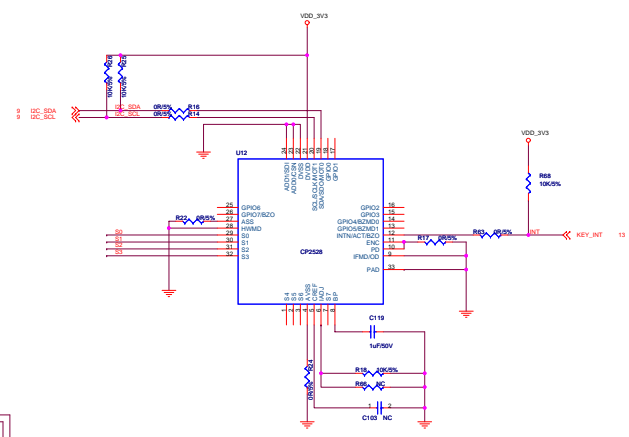
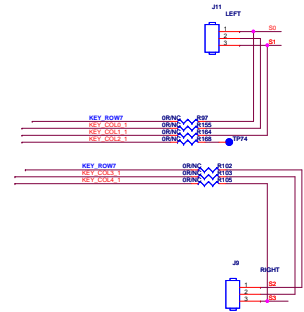
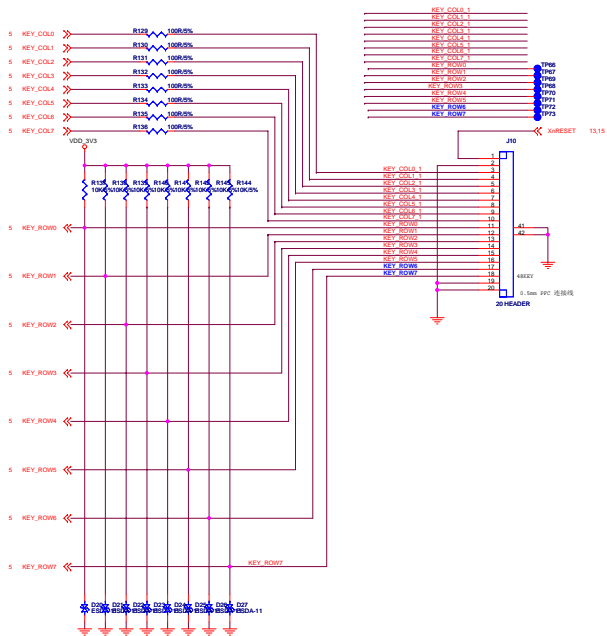


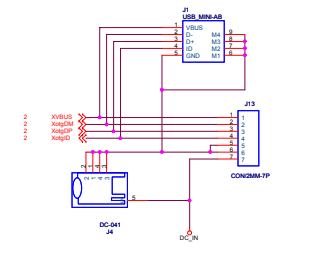
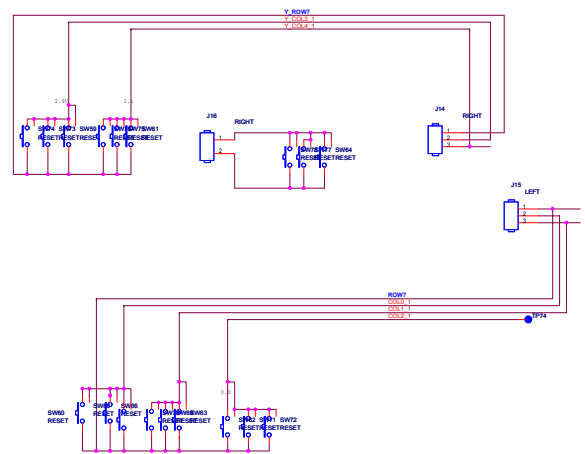
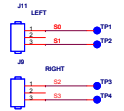
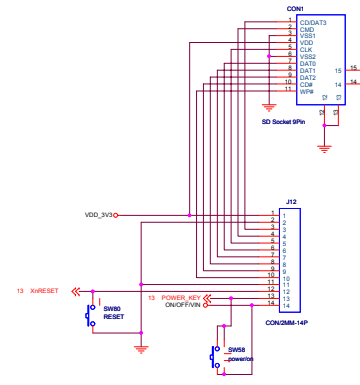
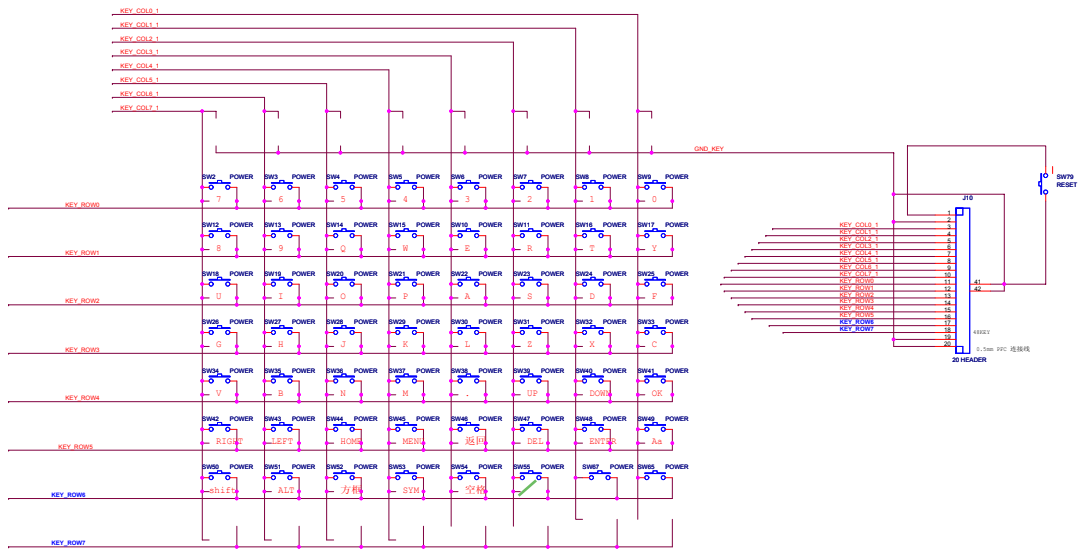


Title		
XINWEI_SUMSANG_7 EPD_V1_0		
Size	Document Number	Rev
A4	<Doc>	V1.0
Date:	Saturday, April 24, 2010	Sheet 11 of 16

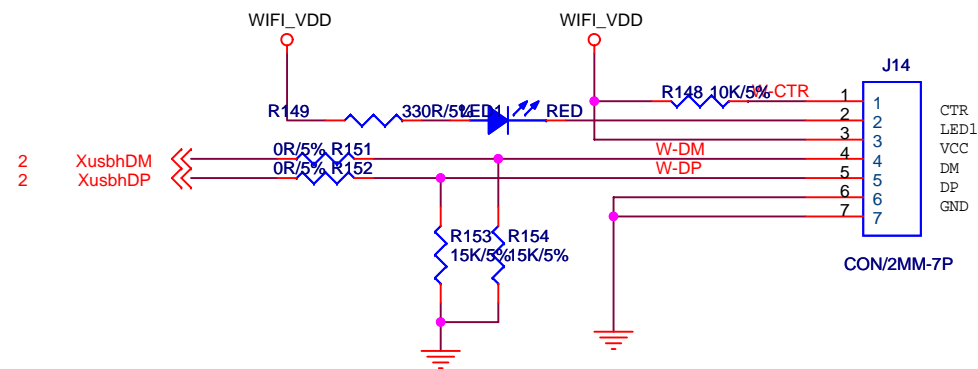
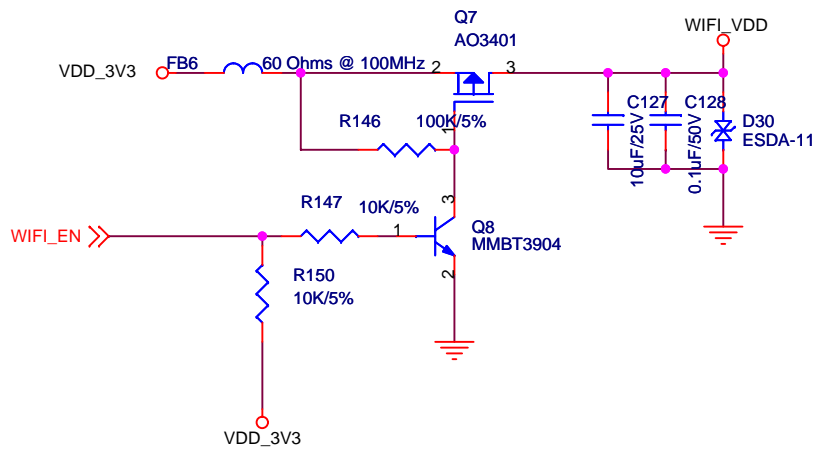


Title		
XINWEI_SUMSANG_7 EPD_V1_0		
Size	Document Number	Rev
A4	SUB DEVICE	V1.0
Date:	Friday, April 16, 2010	Sheet 12 of 16

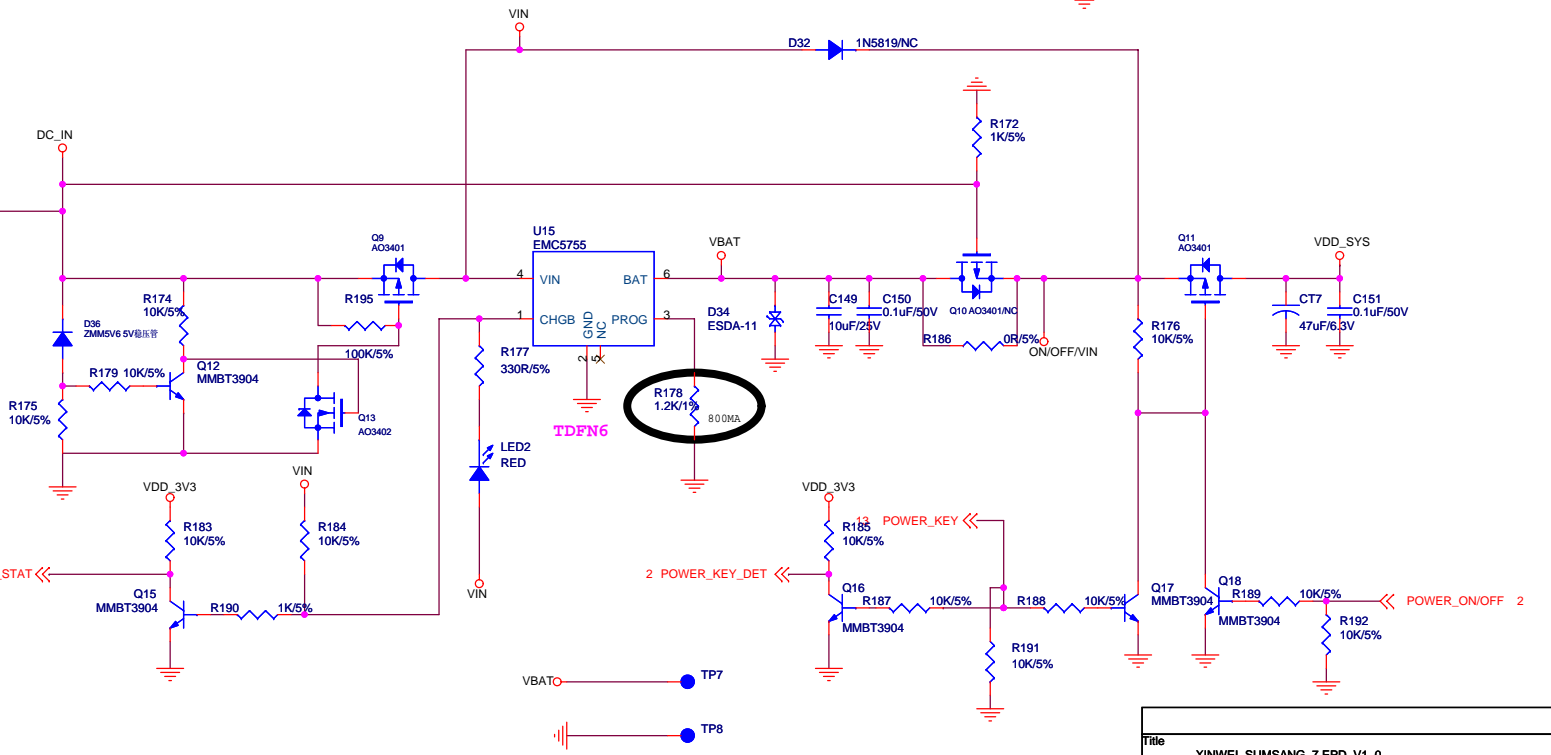
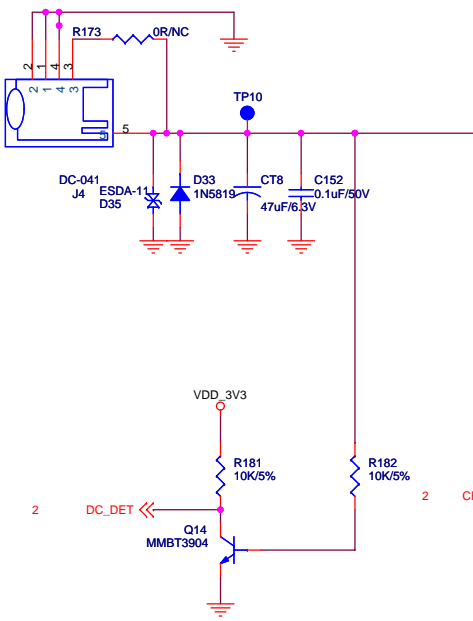
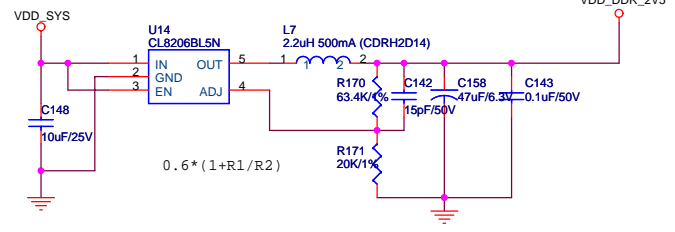
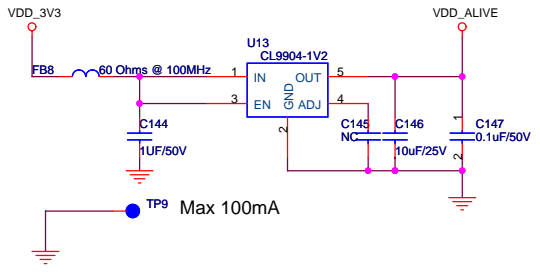
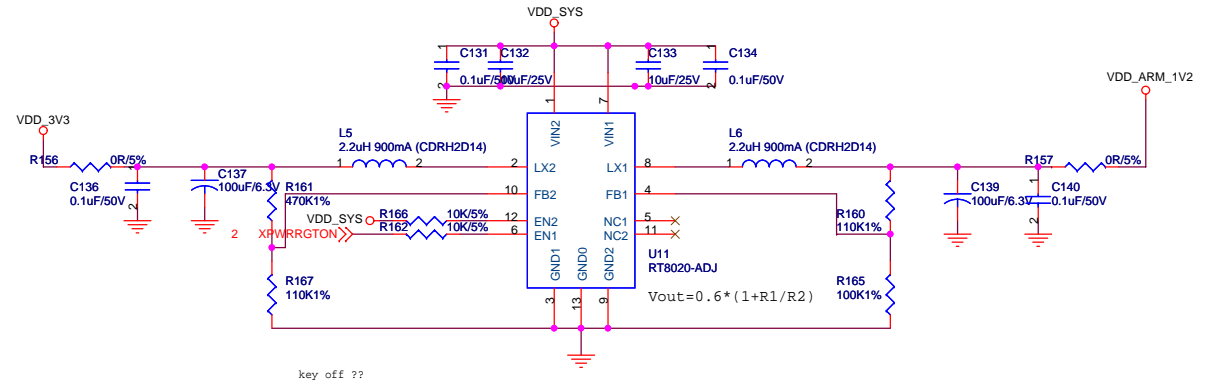
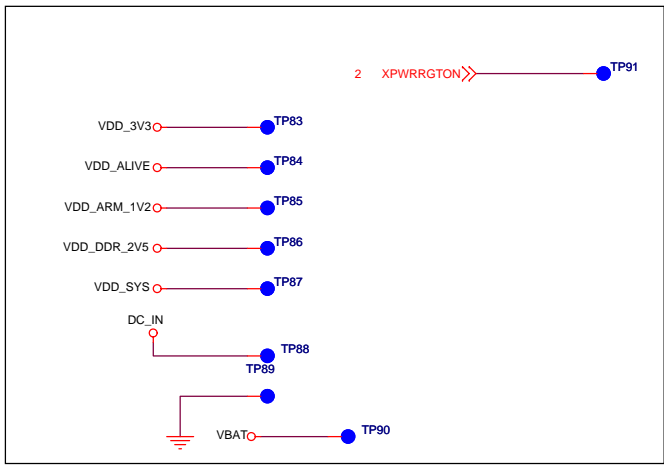




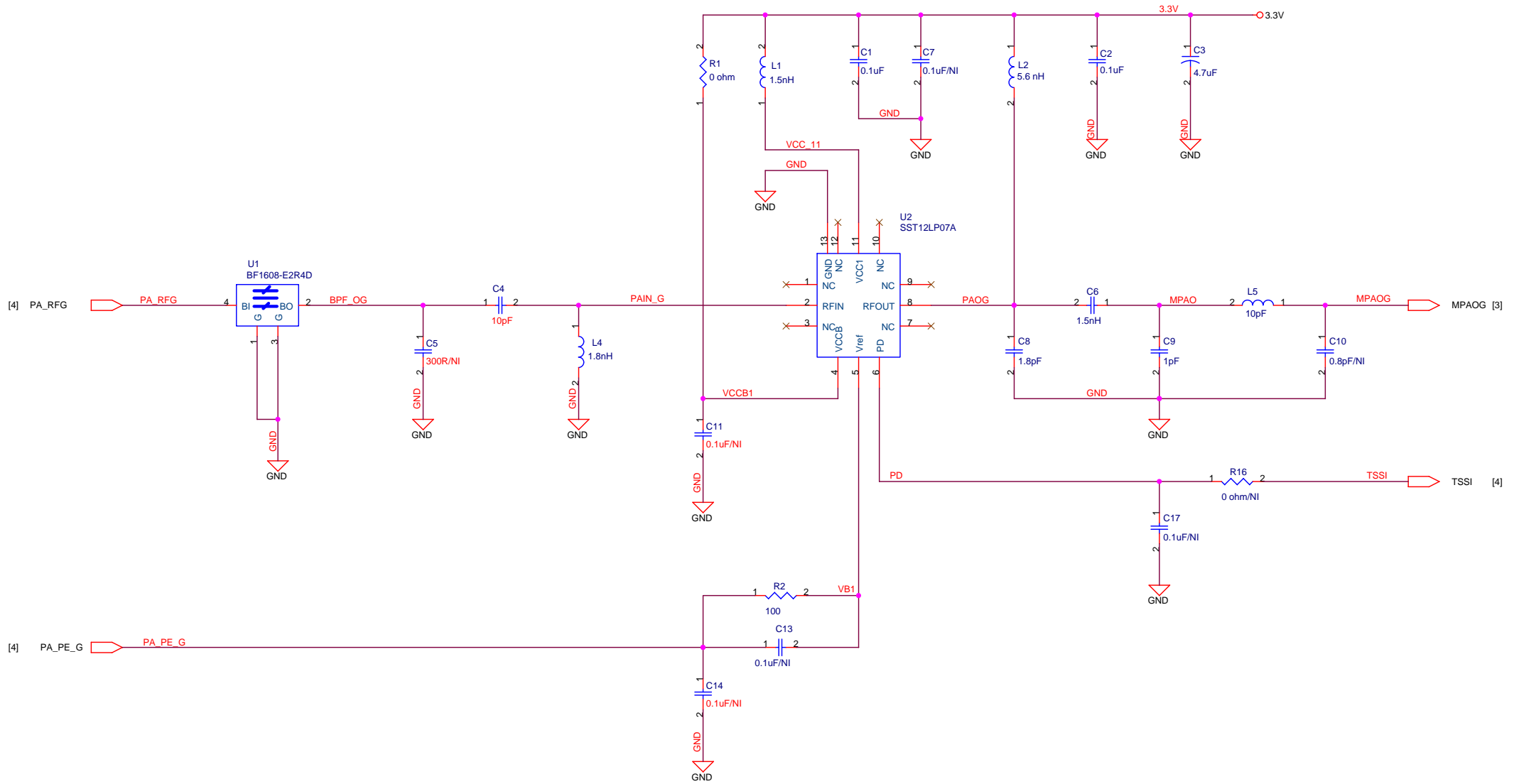
File	<Title>	Rev	V1
ID	Equipment Number		
Doc	<Doc>		
Date	Wednesday, July 13, 2011	Sheet	12 of 11

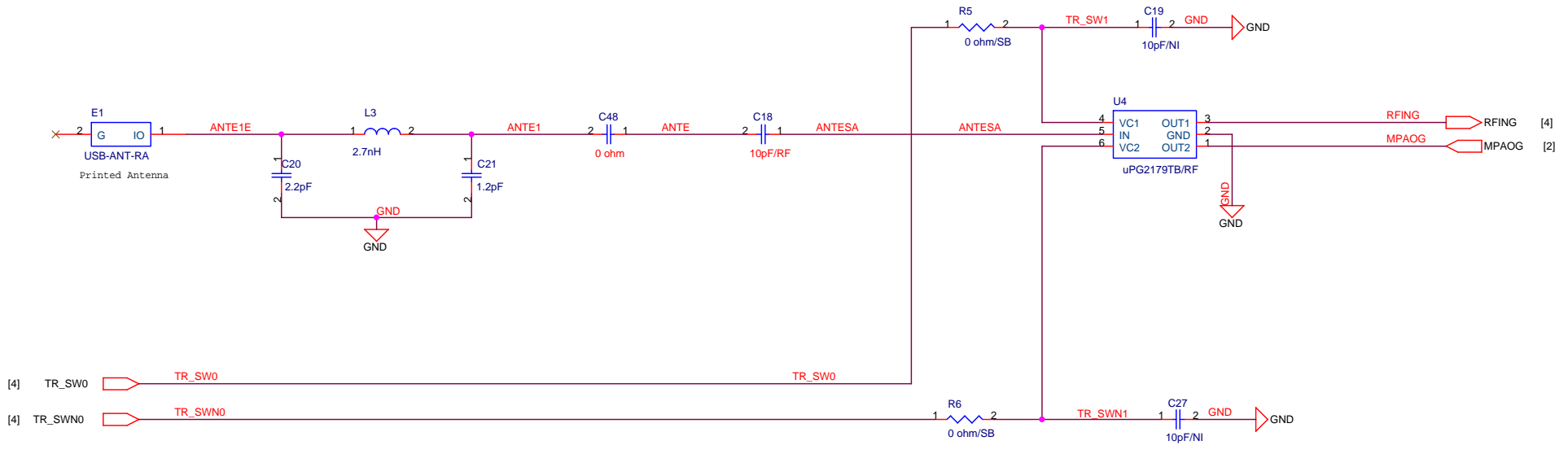


Title		
XINWEI_SUMSANG_7 EPD_V1_0		
Size	Document Number	Rev
A4	<Doc>	V1.0
Date:	Thursday, June 03, 2010	Sheet 14 of 16




Title		
XINWEI_SUMSANG_7_EPDP_V1_0		
Size	Document Number	Rev
A3	SYS_POWER	V1.0
Date:	Wednesday, June 09, 2010	Sheet 16 of 16



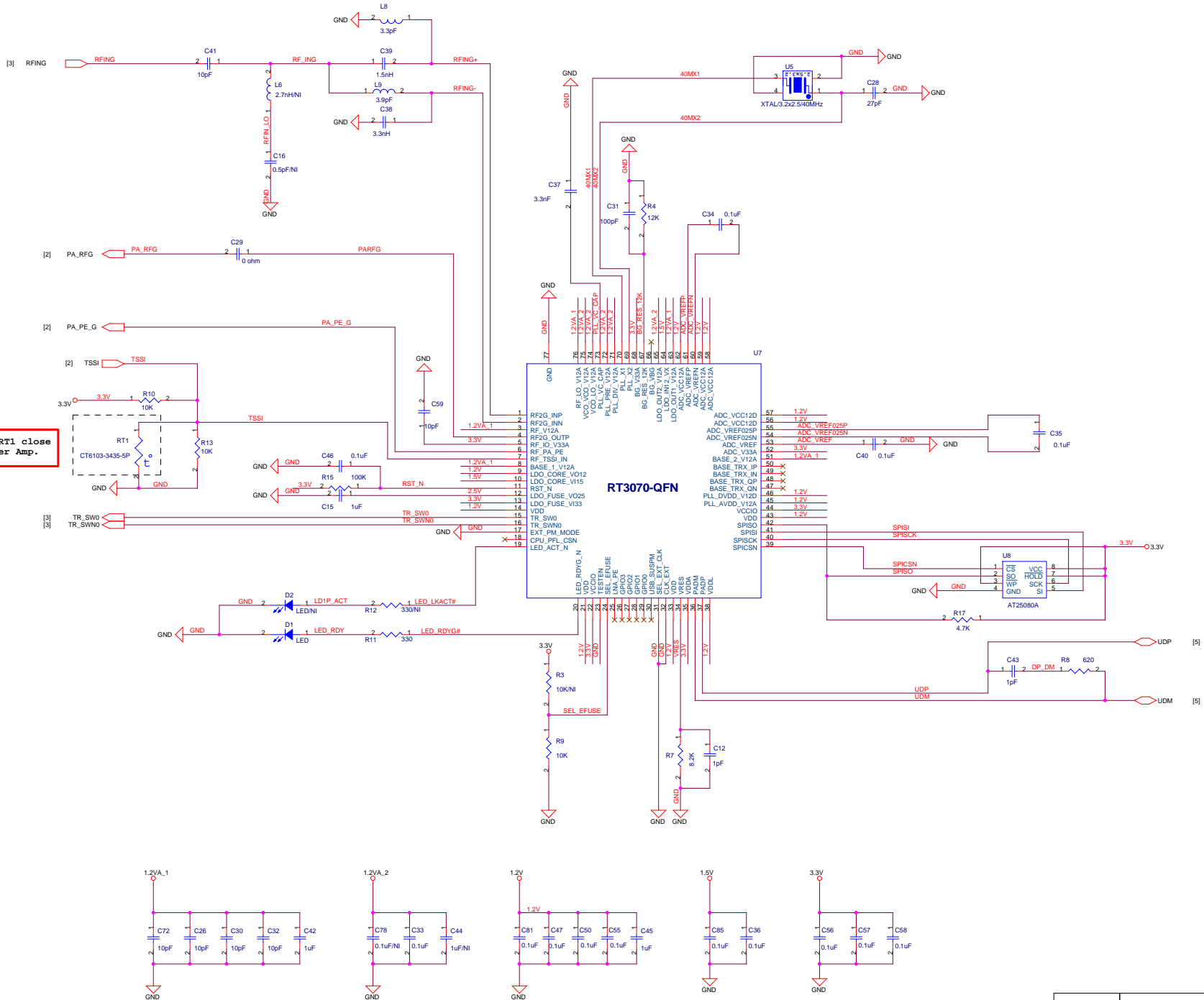


[4] TR_SW0
[4] TR_SWN0

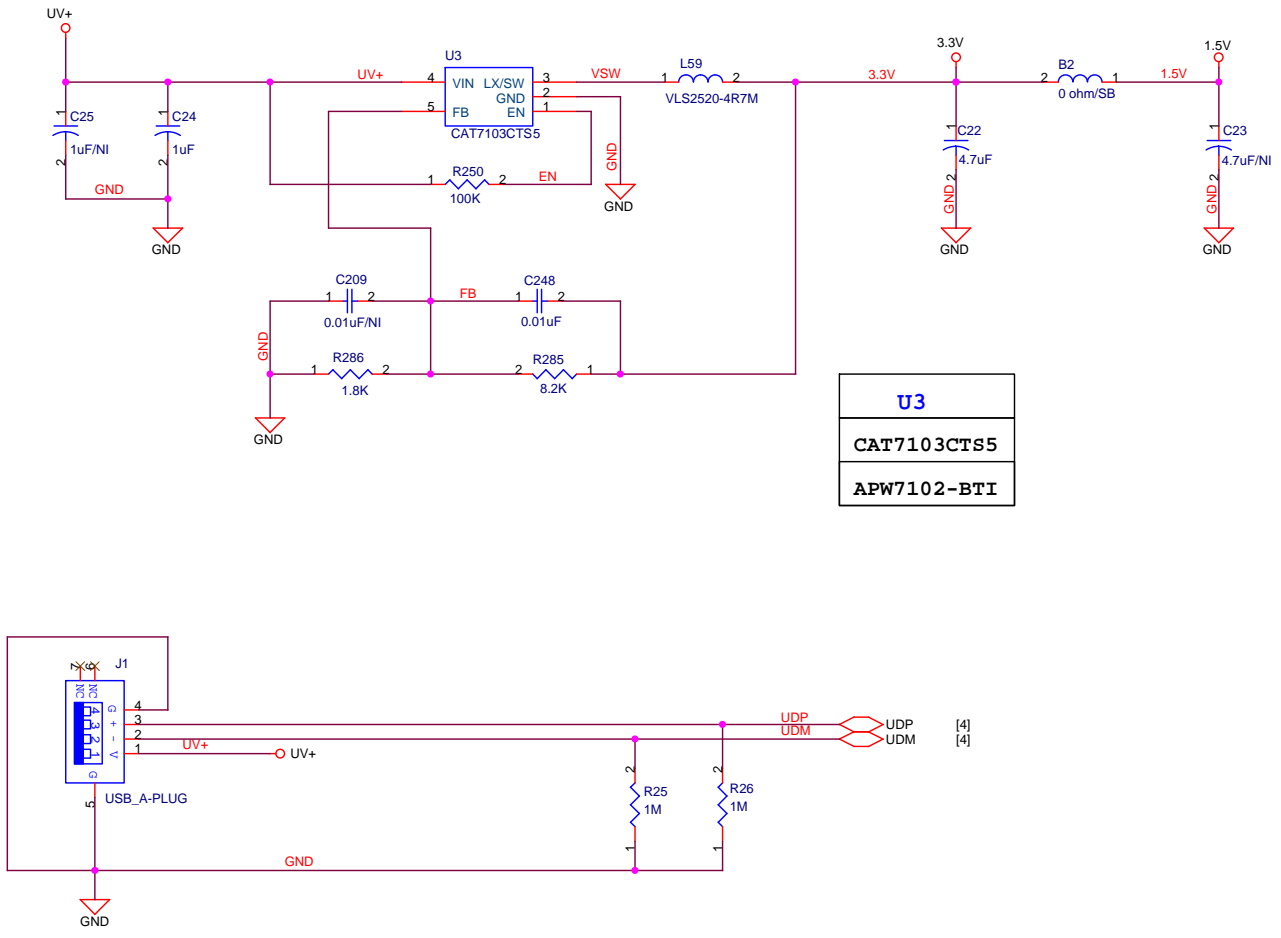
[4]
[2]

		RALINK TECHNOLOGY, CORP.	
		Title Front-End	
Size B	Document Number 2-FrontEnd.SCH		Rev 3.3
Date:	Wednesday, October 15, 2008	Sheet	3 of 6


Place RT1 close to Power Amp.



Ralink Technology, Corp.		
File	RT3070-WLAN	
Size	Document Number	Rev
C	3-RT3070-WLAN.SCH	3.3
Date	Wednesday, October 15, 2008	Sheet 4 of 6



U3
CAT7103CTS5
APW7102-BTI

		RALINK TECHNOLOGY, CORP.	
		Title PEN USB Interface and Power	
Size B	Document Number 4-USB-A.SCH	Rev 3.3	
Date: Tuesday, November 25, 2008	Sheet 5	of 6	

